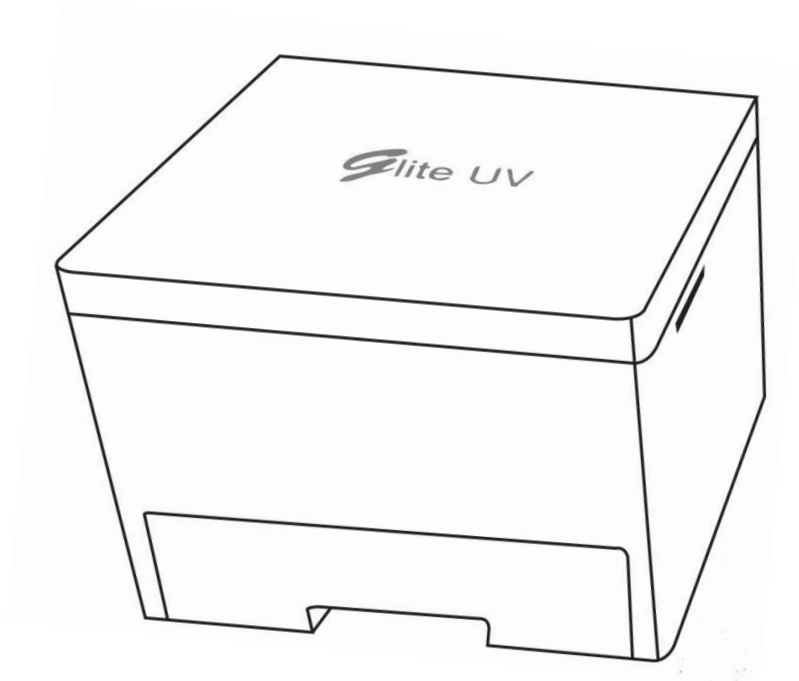




Gel Documentation System
Glite 600 with GelView 600 Software
User's Manual



内容

1. Introduction	3
1.1 Glite 600 概述	3
1.2 计算器要求.....	3
2. 安全说明.....	4
2.1 安全信息 Safety Information	4
3. 仪器描述 Instrument Description	5
3.1 仪器的外观 Illustration of The Instrument	5
3.2 仪器硬件系统说明	6
4. 组装和安装.....	8
4.1 仪器组装	8
4.2 过滤器安装和发布	9
4.3 要释放过滤器	Error! Bookmark not defined.
4.4 软件安装	10
4.5 GelView 600 操作软件概述.....	11
5. 操作.....	12
5.1 打开仪器	12
5.2 将凝胶放入仪器中	12
5.3 调整凝胶位置	12
5.4 捕获模式	12
5.5 凝胶切割	13

1. 簡介

1.1 Overview of Glite 600

Glite 600 is a compact and economical gel documentation system. With consistently high sensitivity, Glite 600 provides professional quality results from gels excited by UV fluorescent light. The light source can be conveniently interchanged UV on and off. Designed for safety, the UV light is deactivated when the light drawer is opened; it can also be activated manually when the users need to cut the agarose gels. Glite 600 is fully controlled by Desktop or laptop computer. Following image capturing, users can immediately view and analyze their gels with the bundled , GelView 600 software.

NOTE:

Please read the User Manual before operating the Glite 600. This instrument is suitable for research use only.

1.2 计算机要求

Please ENSURE your computer is suitable for this software by checking the Minimum System Specifications below:

Specifications	Computer
Operating System	Windows 7 Windows 8 Windows 8.1 Windows 10
Processor	Intel Pentium Processor or equivalent, 1.5 GHz or higher
RAM	2 GB
Hard Disk Space	20 GB
Ports	One free USB 2.0 port
Driver	CD-ROM Driver
Monitor	Color monitor, supporting at least 1024 x 768 resolution
Printer	Optional

2. Safety Instruction

2.1 Safety Information

Glite 600 instrument is allocated with powerful sources of Ultraviolet (UV) radiation that can cause damage to unprotected eyes and skin. Please be sure all personnel in the area are properly trained and protected before operating any unit with UV radiation. The UV shield provides some UV protection. However, it does not guarantee complete protection, and it is designed to shield only the person working in front of the instrument. It is further recommended that the instrument be operated in a darkroom where access and exposure is limited.

WARNING:

DO NOT look directly into the UV source at any time.

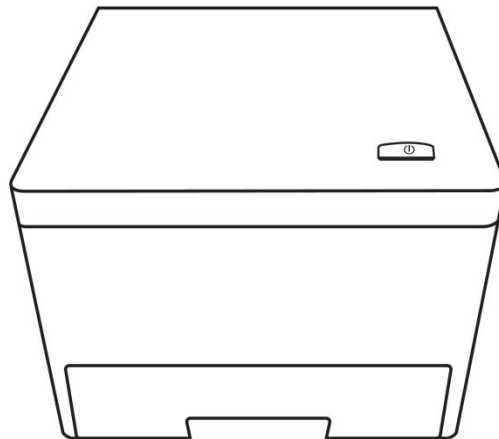
3. Instrument Description

3.1 Illustration of The Instrument

Glite 600 is an intuitive gel documentation system with smart GelView 600 software. Built-in GelView 600 software, Glite 600 is fully controlled by desktop or laptop computer. Following image capturing, users can immediately view their gels with the bundled software.

Features

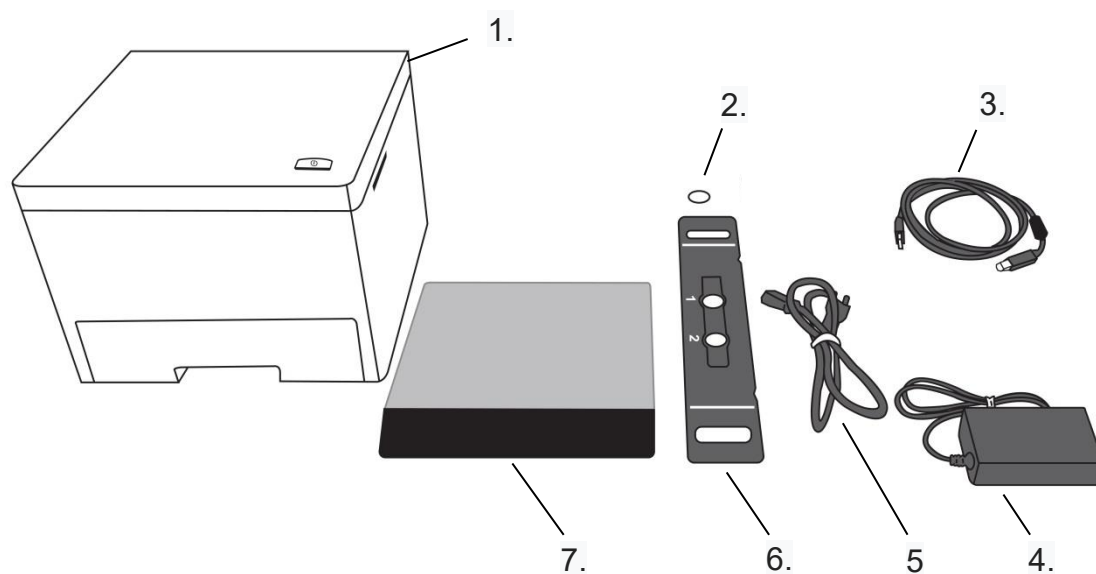
- Real-time GelView 600 smart capturing software.
- Presenting appropriate filter for each application.



3.2 Instrument Hardware System Description

3.2.1 Package Contents

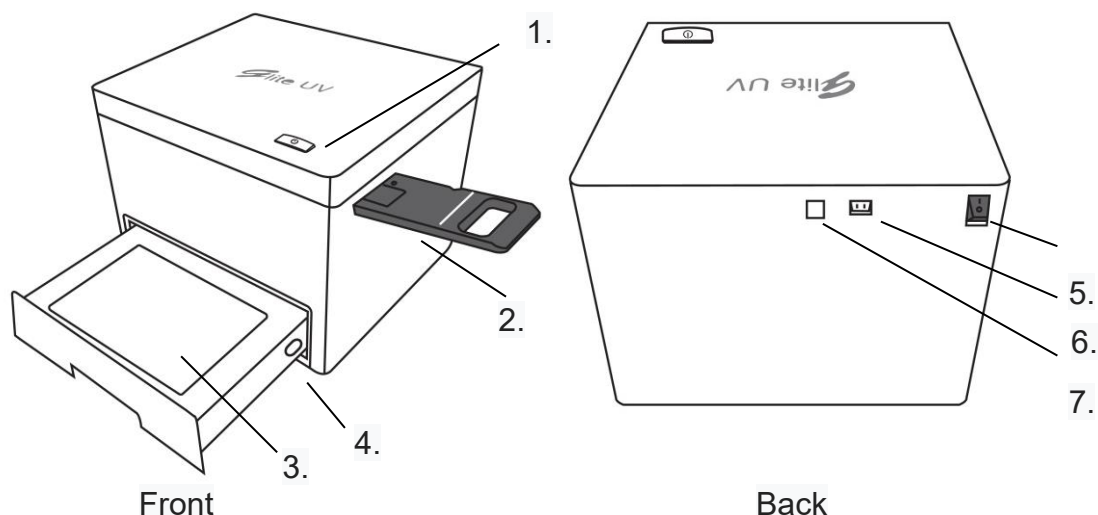
Please unpack each component carefully and make sure that all the system components of the instrument are in the shipment. The included components are shown below:



1. Gel Doc Glite 600 system	5. USB 2.0 cable
2. Emission Filter, T=2.0mm25Ø, 617nm	6. Filter Holder
3. Power Core	7. UV Protection Shield
4. AC adapter (12V, 5A, DC)	

3.2.2 System Components

The illustration shows the main exterior hardware system components of the instrument.



1. Power ON/OFF button and LED indicator:

ON/OFF button: Press once to turn on the system; Press the button again to turn off the power.

LED indicator shows Blue when the instrument is powered on.

LED indicator shows Green when the instrument is powered on and connected to PC.

2. Filter Holder Slot

3. UV Illuminator: Trans-UV light source.

4. UV Power Switch

5. Power Switch: Press the “I” direction is meaning the power is on; Press the “O” direction is meaning the power is off.

6. USB Port: A USB 2.0 port is connected to PC.

7. Power Connector: AC power core.

3.2.3 Optional Components

Emission Filter:

The emission filter is placed onto the filter holder manually and can be interchanged with other filters for other fluorescent applications.

Printer:

The PC connected compact digital printer may print out archived quality gel images in seconds

4. Assembly and Installation

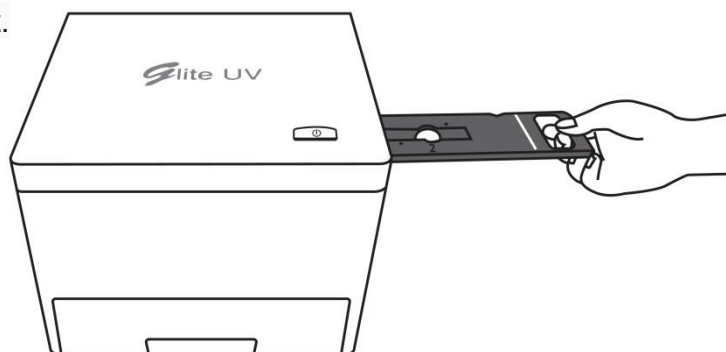
This section explains how to assemble the instrument and install software on a Windows PC. It is recommended to place these components directly on a stable laboratory bench. Please make sure that the instrument is placed near the computer.

4.1 Instrument Assembly 仪器组装

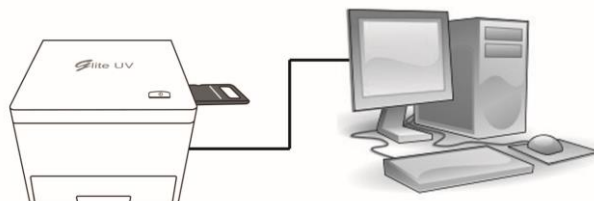
1. Pull the components carefully out of the box and place them in a suitable location.
2. Remove the plastic wrapping.
3. Place the filter onto the holder. Leave one filter holder space blank for other applications.

Note: For filter installing onto the filter holder, please check “Filter Installation and Release” section right after this section.

4. Place the filter holder into the holder slot.
5. Insert the filter holder into the instrument from the right lateral side of the unit.



6. Plug the USB 2.0 cable into the USB port of the instrument and connect the other end into the USB 2.0 port to the computer.
7. The outlet for the power cord is at the back of the instrument.
8. A completely assembled instrument will look like the figure shown below



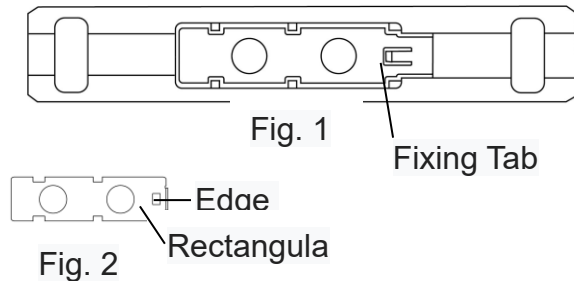
NOTE:

Please be sure that the drawer is complete closed.

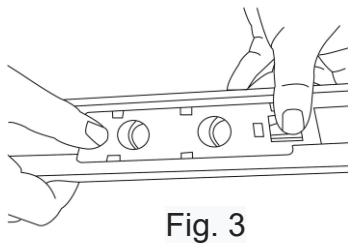
4.2 Filter Installation and Release

To install the filter,

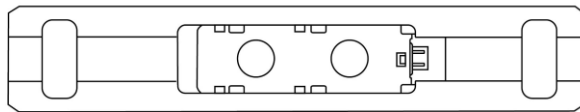
1. Flip the filter holder to the other side (Fig. 1).



2. Place the filter to its designated position.
3. A piece of metal plate (Fig. 2) is accompanied with the holder for preserving the filter on to the designated position. Cover the filter with the metal plate with the edge fold-up facing up and make sure the rectangular hole of the metal plate is just next to the fixing tab of the filter holder.



4. Move the metal plate towards the fixing tab and make sure the fixing tab is tightened the metal plate (A “click” sound is heard. Fig. 3).
5. The filter has successfully positioned onto the filter (Fig.4).



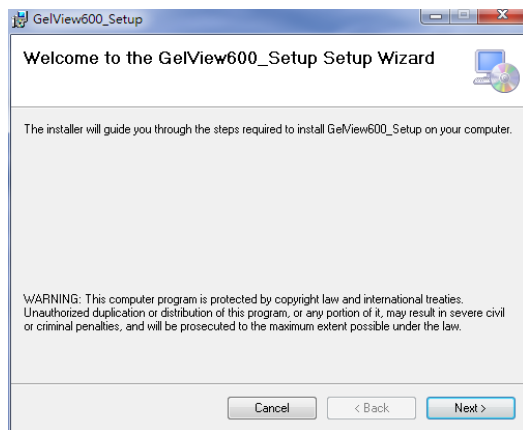
To release the filter,

1. Flip the filter holder and let the filter installation side face up.
2. Press the fixing tab of the filter and move the metal plate backwards.
3. Slightly remove the metal plate from the filter
4. Carefully remove the filter out of its position.

4.3 Software Installation

4.3.1 Step

- Insert the CD-Installed into the CD-ROM drive.
- On the Windows Start menu, point to **My Computer**, point to **CD-ROM drive** icon, and then point to **GelView 600Setup** for installation.
- Follow the instructions to complete the installation.



- Click "Finish" to exit the Setup Wizard.
- The GelView 600 icon will appear on the Desktop once the software is successfully installed.



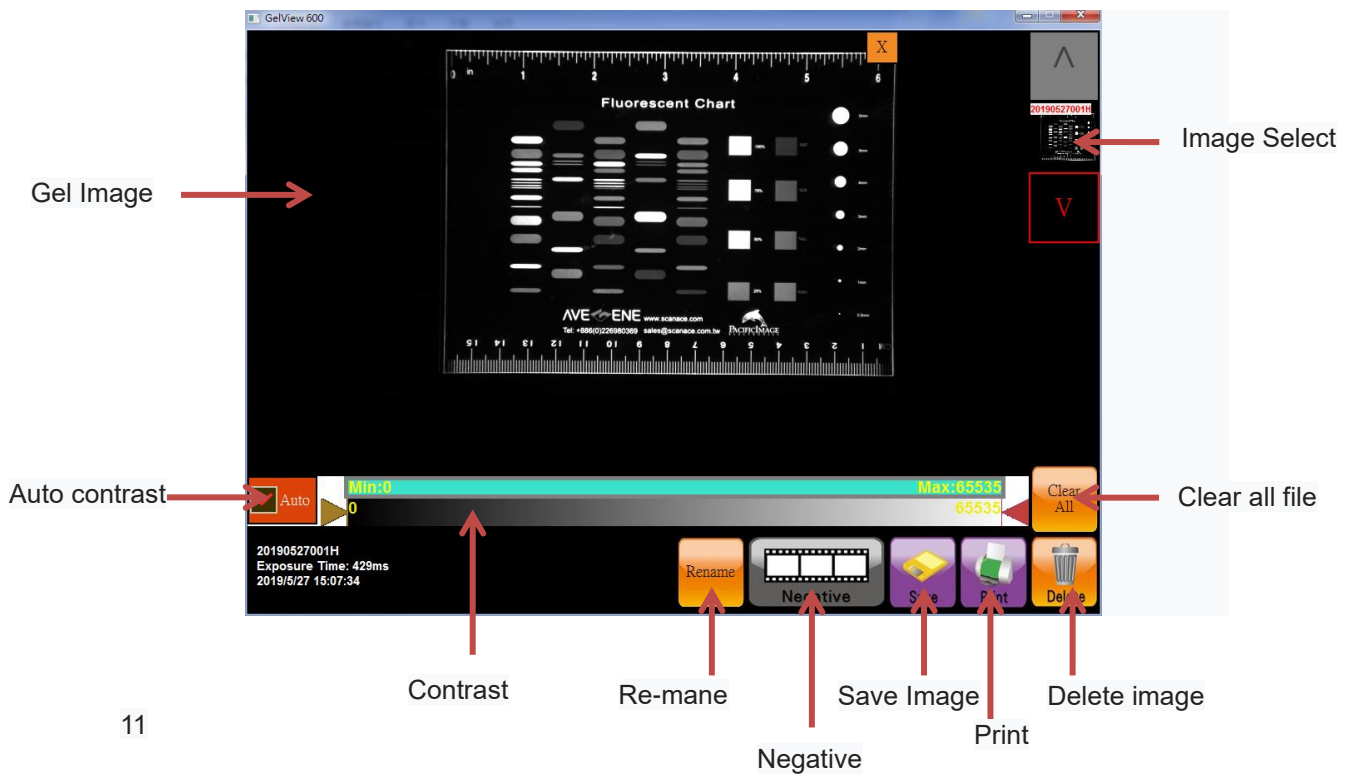
4.5 GelView 600 interface overview

GelView 600 1D image software is composed of the figures shown below:

Capture Mode



Edit Mode



5. Operation

It is important to read and understand the safety information. This document is only intended to help the user to remember the various steps.

NOTE: GelView 600 only supports images that are created by the Glite 600 system.

5.2 Turn on instrument

1. Turn on the main power switch at the back side of the instrument.
2. Turn on the instrument by pressing the ON/OFF button on the top side of the instrument.
3. Allow the startup diagnostics to complete and open the GelView 600 software.

5.2 Place the gel in the instrument

1. Pull out the UV transilluminator drawer. For the ease of gel placement, the UV light is turned off automatically while the drawer is opened.
2. Place the stained gel onto the center UV transilluminator.
3. When needed, place the magnet bar to the front line of viewing area to avoid the gel falling into the chamber.

5.3 Adjust the gel position

1. Reopen the door and reposition the gel if necessary.

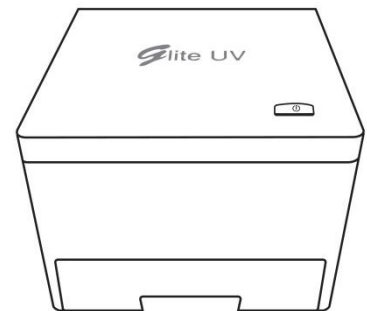
5.4 Capture mode

1. Turn on the UV light.

2. Adjust the filter holder so the filter is aligned with the camera.
3. Set exposure time and dye preference, then press CAPTURE to obtain images.
4. The main screen of capture mode is composed of the figures shown below:

5.5 Gel Cutting

1. Before gel cutting, make sure the UV light is switched off and restore the Glite 600 system setting to the figure shown below: :



2. Pull out the drawer and place the gel on the top of the UV box..



3. Place the UV protection shield on the drawer. The shield placement is secured by the magnet.

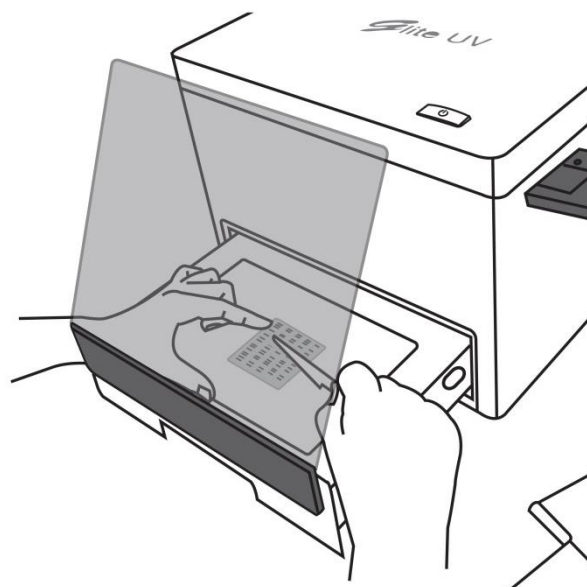


4. Turn on the UV light by pressing the ON/OFF switch at the side of the UV transilluminator.

NOTE:

Make sure the user is standing behind the protection shield when the UV light is switched on.

5. Proceed with gel cutting.



6.联系信息

对于有关此仪器或软件的任何问题或疑问，PIE 支持团队将能够为您提供帮助。

Tel: +886 2 8692 1800

Fax: +886 2 8692 1860

E-mail: sales@scanace.com.tw